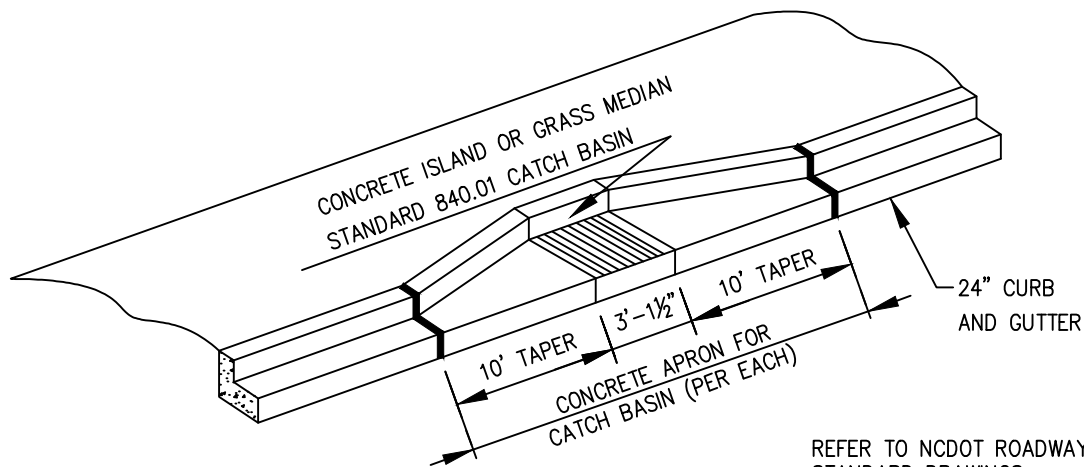
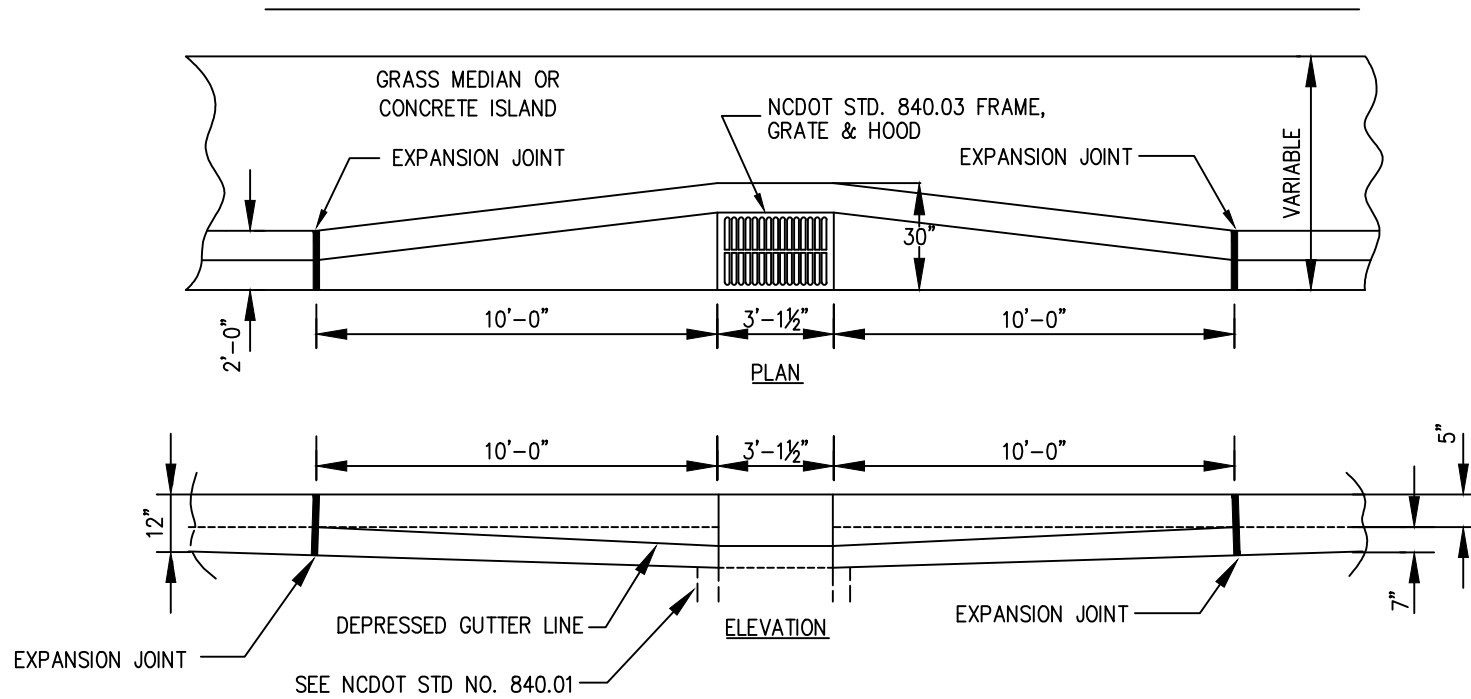


STANDARD CATCH BASIN TRANSITION FOR 24" VERTICAL CURB AND GUTTER



REFER TO NCDOT ROADWAY
STANDARD DRAWINGS
CURRENT EDITION



ENGINEERING DIVISION
433 HAY ST. 28301
(910) 433-1656
<http://www.fayettevillenc.gov>

**STANDARD CATCH BASIN TRANSITION
FOR 24" VERTICAL CURB AND GUTTER
ADOPTED FROM NCDOT
STANDARD NO. 852.05**

Rev. Date: 26 JAN 21
Not to Scale
Review Date: 26 JAN 21

SD-5